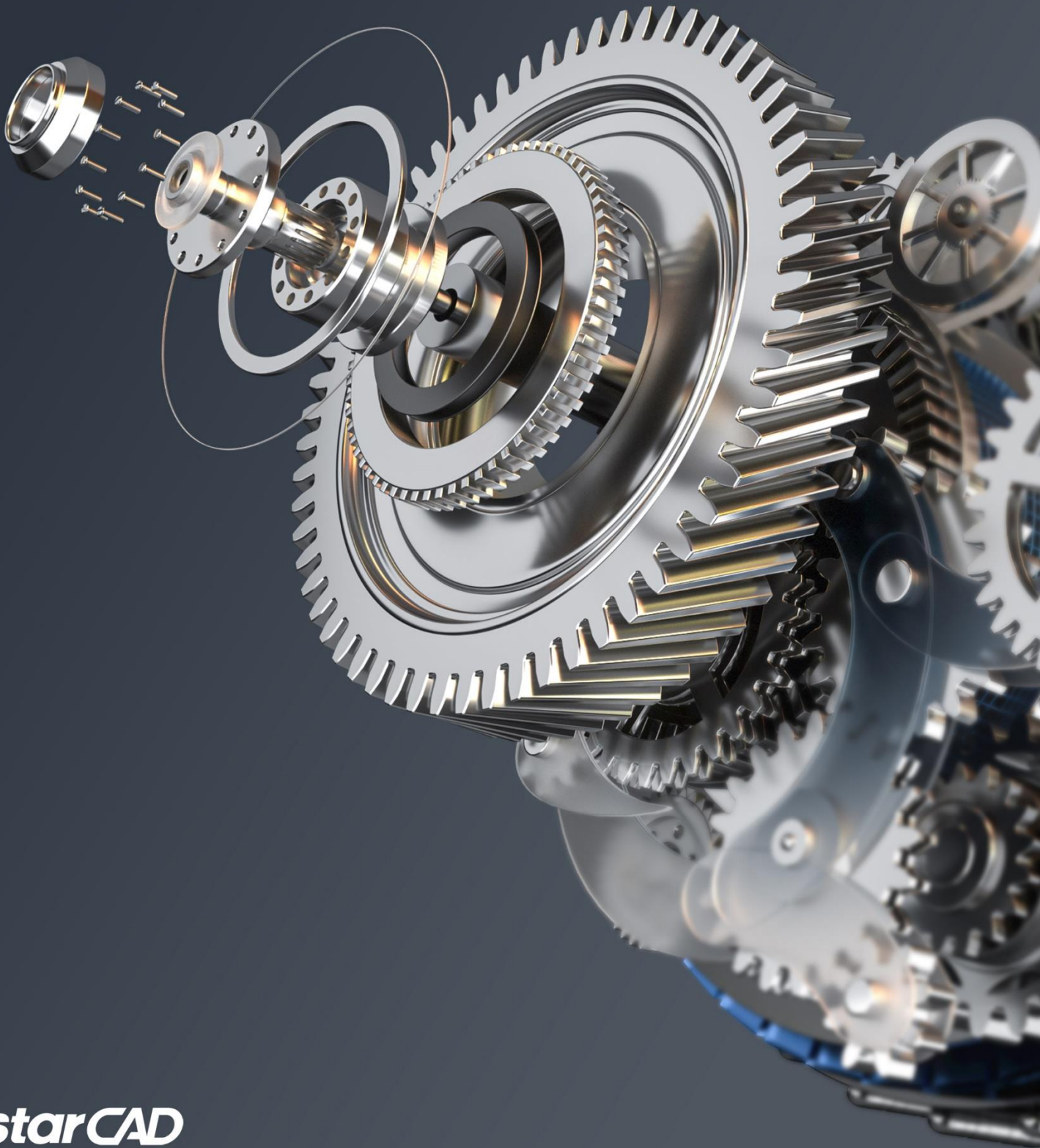




Overview

GstarCAD Mechanical 2022





GstarCAD Mechanical 2022

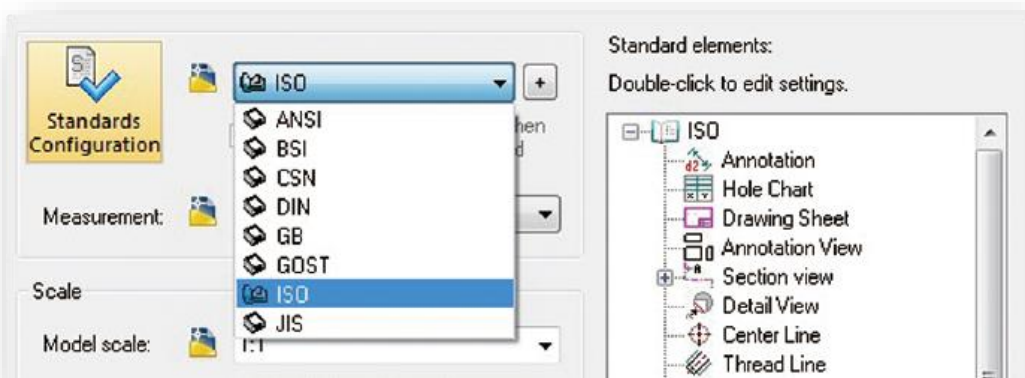
Manufacturing Solutions

GstarCAD Mechanical 2022 drafting/design software, covers all fields of mechanical design. It supplies the latest standard parts library, symbol and dimensioning tools in line with standards in different countries being compatible with ACM drawings from 6 (2002) to latest (2018). The standardized mechanical design enhances efficiency of designers and helps them complete accurate product ideas.

Simplifying Standard 2D Mechanical Design

Standards-based

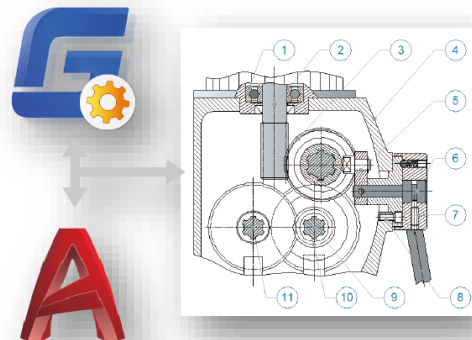
GstarCAD Mechanical 2022 supplies international drafting standards like ANSI/BSI/CSN/DIN/GB/GOST/ISO/JIS that are super customizable, helping engineers to meet design requirements by simplifying mechanical design process in the global marketplace consistently.



Format Compatibility in Bi-direction

Seamlessly Data Displaying

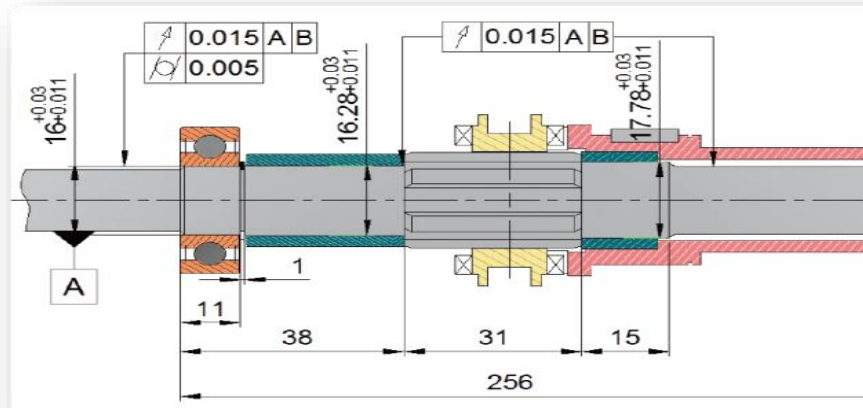
GstarCAD Mechanical 2022 could accurately read and display the complete underlying data of ACM drawings and vice versa. Seamlessly data display including title blocks, balloons, part list, BOM, surface texture, feature control frame, welding symbols and so on.



Easier Mechanical Documentation with Dimensioning Tools and Symbols Annotation

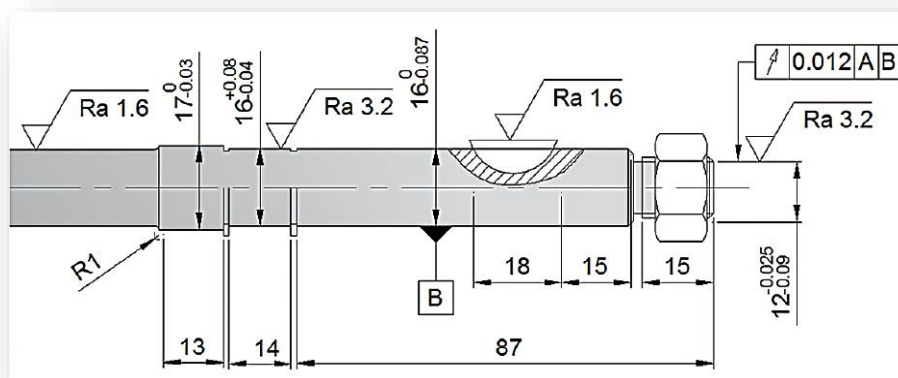
Dimensioning Tools

Power dimension tool makes dimensioning easier by setting up variables relevant to manufacturing, as well as integrates tolerance and fit list information. Multiple dimension tool creates batch dimensions effortlessly that are appropriately spaced. Dimension edit tool quickly stretch, add or combine dimensions and inspect dimensions, as well help users edit dimensions accurately.



Symbols Annotation

Save time on annotation input by relying on more than 11 kinds of symbols like surface texture, feature control frame, welding symbol, datum identifier and target, taper & slope, edge symbol and so on. What's more, users could add any new created symbol to the symbol library. The symbols can be attached on target objects or dimensions and automatically adapt to drawings by moving or scaling.

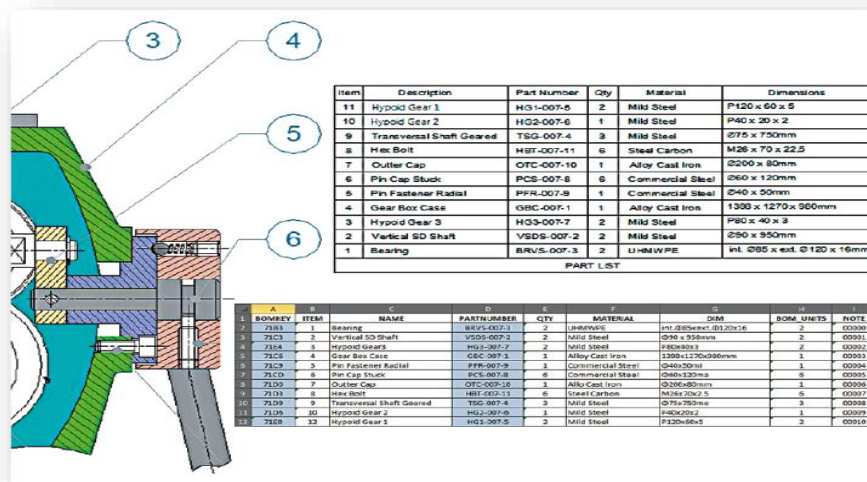


Accurate Data Management

BOM Data, Balloon and List

The BOM could display component parts features comprehensively. It coordinates all data information of component parts and control changes of global. GstarCAD Mechanical 2022 supports extraction BOM data from DWG files for better reuse, promoting more efficient and accurate exchange of design data and facilitate earlier collaboration between design and manufacturing workgroups.

The balloon and list functionalities are associated with mechanical parts and keep updated when detected parts information changing. Reduce cost of some mistaken information caused by recording, recognition and sorting.



Multidisciplinary Collaborative Work

GstarCAD Collaboration

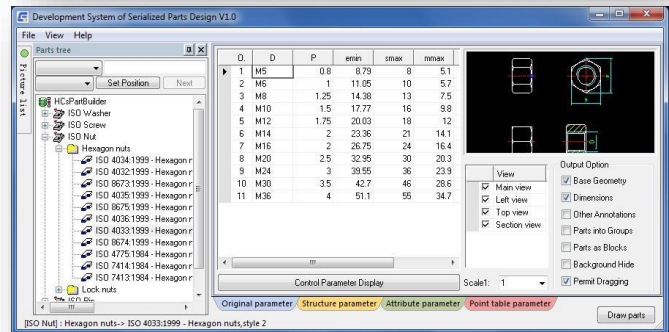
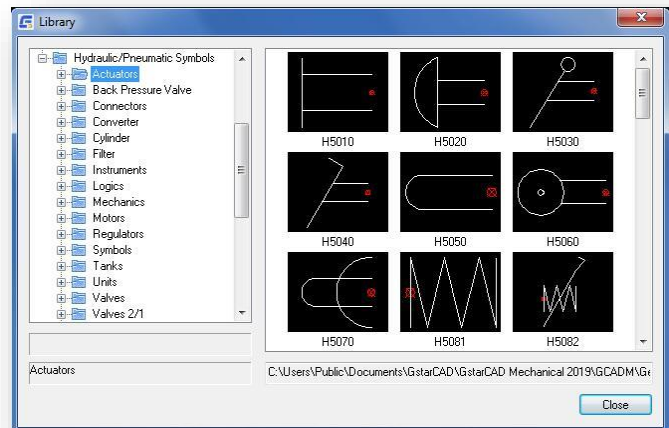
GstarCAD Collaboration is an embedded plugin helps designers work together on complex projects via advanced drawing reference and drawing revision management to significantly improve communication cross teams and reduce design errors.



Variety of Mechanical Tools and Practical Features

Other Key Features Supported

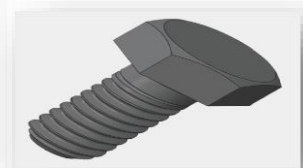
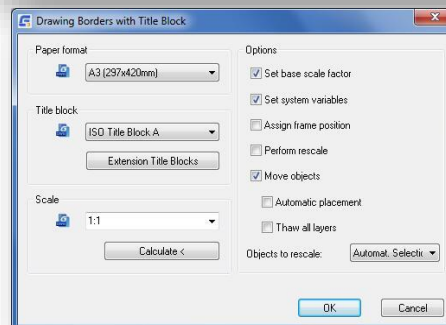
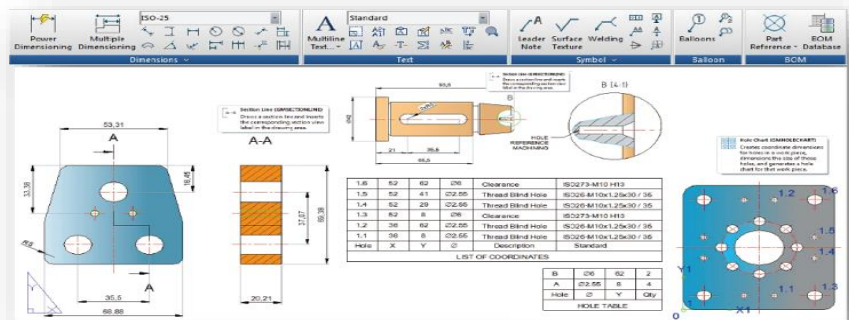
- ★ Mechanical Layer Manager
- ★ Layer Groups Manager
- ★ Serialization Part Design System
- ★ Library
- ★ Dimension Edit Tool
- ★ Leader Note Tool
- ★ Fillet Tool, Chamfer Tool
- ★ Wave Line, Smart Line and Symmetric Line
- ★ Calculate Area
- ★ Statistical Block
- ★ Scale X, Y, Break at One Point, One-quarter Mirror
- ★ Dynamic Extensions and Join Entities
- ★ Shaft Design, Spring Design
- ★ Super Card



Automatic Generation of....

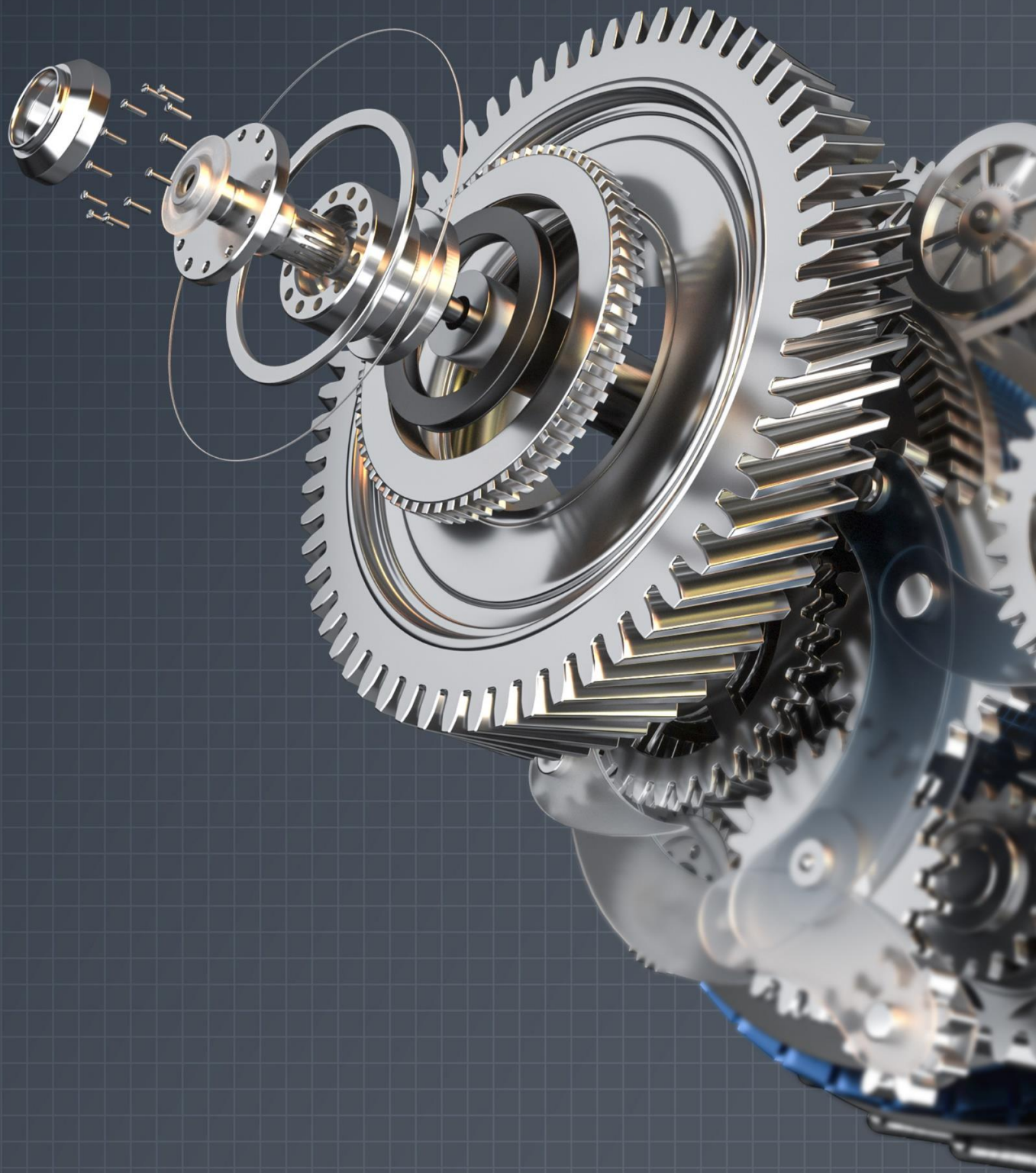
Achieve in Few Clicks

- ★ Detail Views
- ★ Scale View
- ★ Section Lines
- ★ Hatch
- ★ Title and Board
- ★ Associative Hole Charts
- ★ Fits List
- ★ Center Line and Construction Line
- ★ Rectangle Creation
- ★ Arrange Dimension





GstarCAD
Mechanical 2022



■ <https://www.gstarcad.net/mechanical/>

Gstarsoft